

B O M B A R D I E R

Course Length
10 Days (80 Hours)

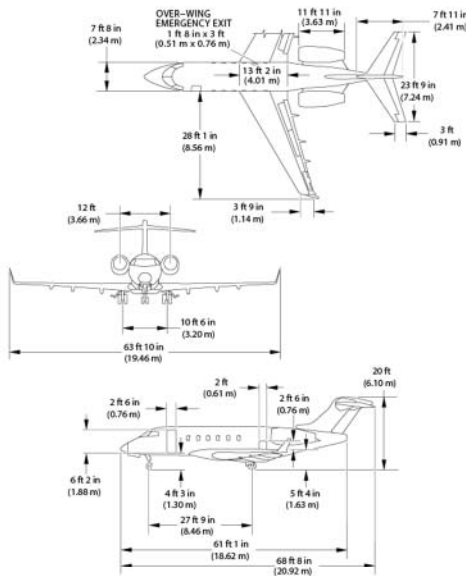
CL 300/350 Initial Maintenance Course with Honeywell AS 907 engines Aircraft

TC Approval Number:

2016-02-7427

Transport
Canada

Initial Maintenance



This initial-level maintenance training course covers all applicable ATA chapters, addressing aircraft systems' theory, operation, inspection, servicing, and troubleshooting. Using an interactive approach of instruction, hands-on sessions will be conducted to enhance and expand on classroom training. The course examines LRU troubleshooting from a theoretical and functional perspective.

This comprehensive CL 300/350 Initial Maintenance Course with Honeywell AS 907 engines course is the ideal way to have technicians productively respond to transitions within the fleet.

For more information on your CL 300/350 Initial Maintenance Course with Honeywell AS 907 engines please contact:

Sales@globaljetservices.com

30 Tower Lane →

Avon, CT → 06001 U.S.A.

Tel +1 (860) 651-6090 → Fax +1 (860) 651-3618

globaljetservices.com

GLOBALJET
SERVICES

