

FALCON

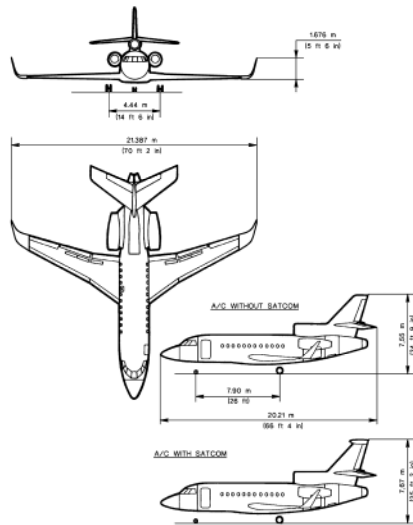
**Course Length
15 Days (120 Hours)**

Falcon 900EX (Honeywell TFE731) Aircraft

B1 Theoretical Maintenance

UAE GCAA
Approval Number:

UAE.CAR 147.31



This GCAA B1 Theoretical maintenance training course meets all current UAE GCAA approval requirements for the Falcon 900EX (Honeywell TFE731) aircraft type. The course covers all applicable ATA chapters to address aircraft systems' theory, operation, inspection, and servicing.

The theoretical course employs an interactive approach with instruction to the student. Upon successful completion, this class will certify aviation technicians for work on Falcon 900EX (Honeywell TFE731) type aircraft.



For more information on your Falcon 900EX (Honeywell TFE731) please contact:

Sales@globaljetservices.com

30 Tower Lane →

Avon, CT → 06001

Tel (860) 651-6090 → Fax (860) 651-3618

globaljetservices.com

GLOBALJET
SERVICES

