

BEECHCRAFT

Factory Authorized Training Provider

Beech 90 Series (PWC PT6) Aircraft

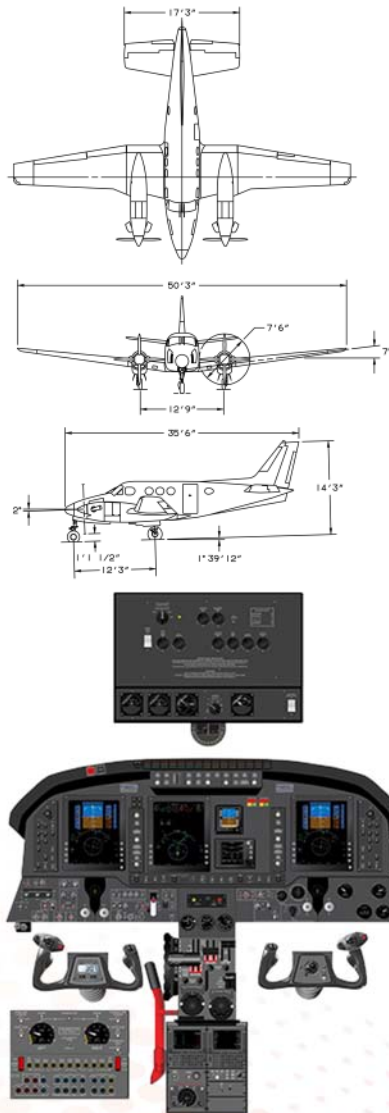
B1 Theoretical Maintenance

**Course Length
10 Days (80 Hours)**

UAE GCAA
Approval Number:



UAE.CAR 147.31



This GCAA B1 Theoretical maintenance training course meets all current UAE GCAA approval requirements for the Beech 90 Series (PWC PT6) aircraft type. The course covers all applicable ATA chapters to address aircraft systems' theory, operation, inspection, and servicing.

The theoretical course employs an interactive approach with instruction to the student. Upon successful completion, this class will certify aviation technicians for work on Beech 90 Series (PWC PT6) type aircraft.

**For more information on your Beech 90 Series (PWC PT6)
please contact:**

Sales@globaljetservices.com

30 Tower Lane →

Avon, CT → 06001

Tel (860) 651-6090 → Fax (860) 651-3618

globaljetservices.com

GLOBALJET
SERVICES

