

# BEECHCRAFT

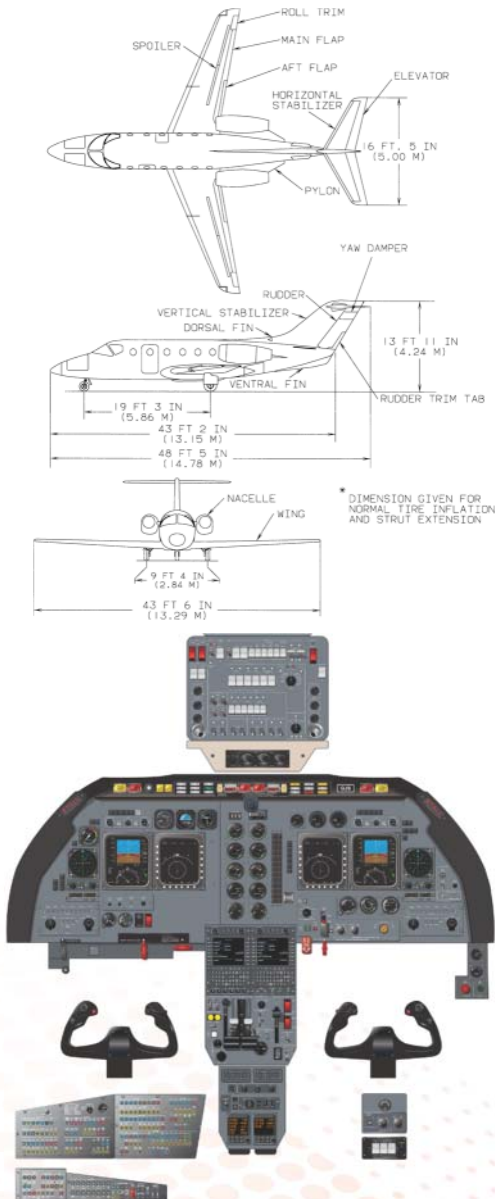
**Factory Authorized Training Provider**

## Beech 400 / Mitsubishi MU-300 (PWC JT15) Aircraft

### B2 Theoretical Maintenance

This GCAA B2 Theoretical maintenance training course meets all current UAE GCAA approval requirements for the Beech 400 / Mitsubishi MU-300 (PWC JT15) aircraft type. Airframe and engine ATAs are taught to various ATA specification 104 levels, i.e., 1, 2, and 3, based on GCAA requirements, and all avionics ATAs are taught to level 3.

The focus is on aircraft type and avionics suite, specific operation, theory, and principals as they relate to Beech 400 / Mitsubishi MU-300 (PWC JT15) type installation.



**Course Length  
15 Days (120 Hours)**

UAE GCAA  
Approval Number:



UAE.CAR 147.31

Other GLOBALJET courses available for your Beech 400 / Mitsubishi MU-300 (PWC JT15) type aircraft:

**Other GCAA Approved Courses:**

*Beech 400 / Mitsubishi MU-300 (PWC JT15)*

*B1 Theoretical*

*Beech 400 / Mitsubishi MU-300 (PWC JT15)*

*B1 Practical*

*Beech 400 / Mitsubishi MU-300 (PWC JT15)*

*B2 Practical*

**For more information on your Beech 400 / Mitsubishi MU-300  
(PWC JT15) please contact:**

[Sales@globaljetservices.com](mailto:Sales@globaljetservices.com)

30 Tower Lane →

Avon, CT → 06001

Tel (860) 651-6090 → Fax (860) 651-3618

[globaljetservices.com](http://globaljetservices.com)

