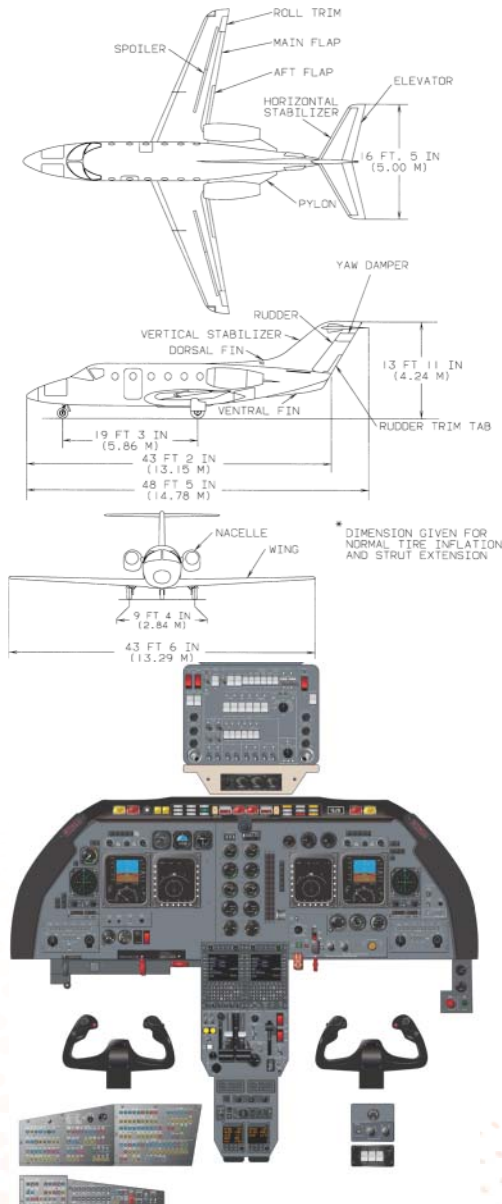


BEECHCRAFT

Factory Authorized Training Provider

Beech 400 / Mitsubishi MU-300 (PWC JT15) Aircraft

B1+B2 Theoretical Maintenance



The GCAA B1+B2 Theoretical maintenance training course meets all current GCAA approval requirements for the Beech 400 / Mitsubishi MU-300 (PWC JT15) aircraft type. This course covers all applicable ATA chapters to address aircraft systems' theory, operation, inspection, and servicing.

The theoretical course employs an interactive approach with instruction to the student. Upon successful completion, this class will certify aviation technicians for work on Beech 400 / Mitsubishi MU-300 (PWC JT15) type aircraft.

**For more information on your Beech 400 / Mitsubishi MU-300
(PWC JT15) please contact:**

Sales@globaljetservices.com

30 Tower Lane → Suite 200

Avon, CT → 06001

Tel +1 (860) 651-6090 → Fax +1 (860) 651-3618

globaljetservices.com

**Course Length
18 Days (144 Hours)**

UAE GCAA
Approval Number:



UAE.CAR 147.31

Other GLOBALJET courses available for your Beech 400 / Mitsubishi MU-300 (PWC JT15) type aircraft:

Other GCAA Approved Courses:

Beech 400 / Mitsubishi MU-300 (PWC JT15)

B2 Theoretical

Beech 400 / Mitsubishi MU-300 (PWC JT15)

B2 Practical

Beech 400 / Mitsubishi MU-300 (PWC

JT15)B1 Theoretical

Beech 400 / Mitsubishi MU-300 (PWC JT15)

B1 Practical

Beech 400 / Mitsubishi MU-300 (PWC JT15)

B1+B2 Practical

