

# EMBRAER

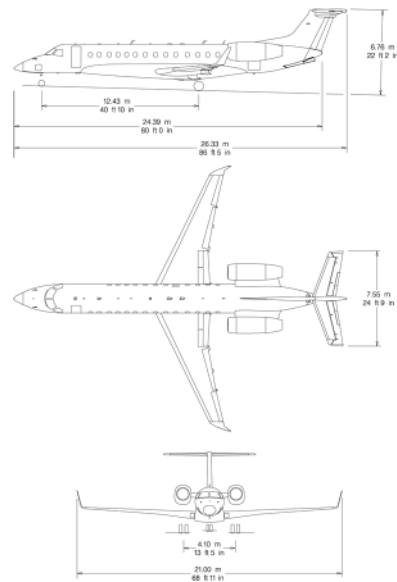
**Course Length  
10 Days (80 Hours)**

## Legacy 600 Aircraft

### Initial Maintenance

FAA IA Approval Code:

C-IND-IM-130607-K-006-163



This initial-level maintenance training course covers all applicable ATA chapters, addressing aircraft systems' theory, operation, inspection, servicing, and troubleshooting. Using an interactive approach of instruction, hands-on sessions will be conducted to enhance and expand on classroom training. The course examines LRU troubleshooting from a theoretical and functional perspective.

This comprehensive Legacy 600 course is the ideal way to have technicians productively respond to transitions within the fleet.

Other GLOBALJET courses available for your Legacy 600:

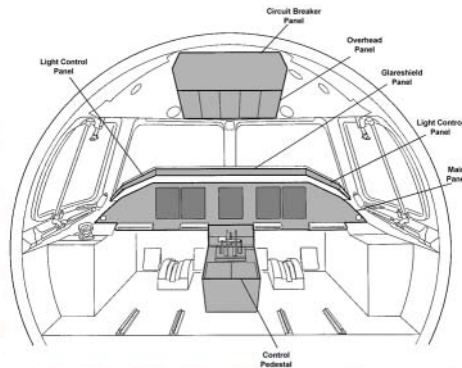
**FAA Accepted**

*Legacy 600 Gen-Fam*

*Legacy 600 Line*

*Legacy 600 Refresher*

*Legacy 600 Electrical Interface*



**For more information on your Legacy 600  
please contact:**

[Sales@globaljetservices.com](mailto:Sales@globaljetservices.com)

30 Tower Lane →

Avon, CT → 06001

Tel (860) 651-6090 → Fax (860) 651-3618

[globaljetservices.com](http://globaljetservices.com)

