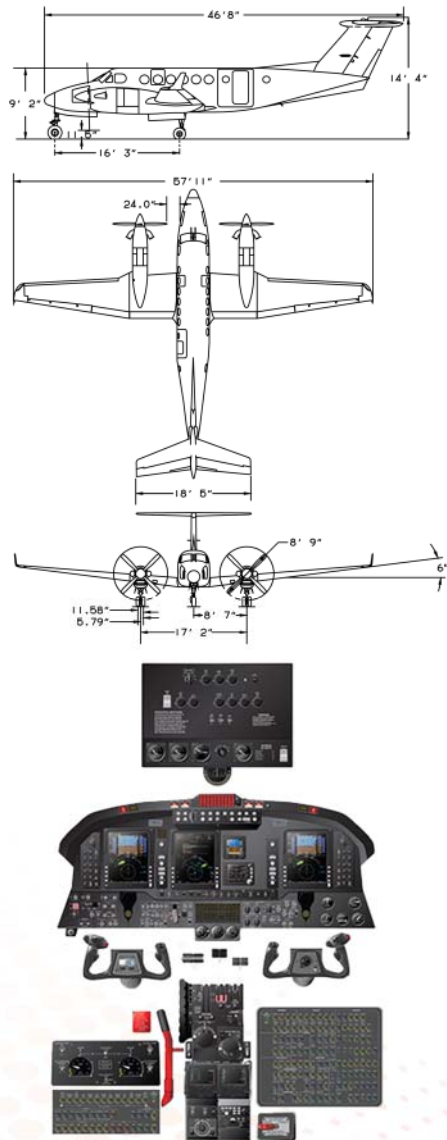


# BEECHCRAFT

**Factory Authorized Training Provider**

## King Air 300/350 Aircraft

Generalization/Familiarization Maintenance



This 5-day maintenance course will help technicians understand the aircraft systems, servicing, and practical know-how needed to maintain the aircraft properly. This course is for the technician that has similar aircraft experience as well as the manager or scheduler who wants a better understanding of the aircraft. If the aircraft is available, actual hands-on practices will be conducted to ensure a complete understanding of aircraft systems and 'real-world' maintenance practices.

The King Air 300/350 class offers an excellent way to expand technician productivity.

**For more information on your King Air 300/350 please contact:**

[Sales@globaljetservices.com](mailto:Sales@globaljetservices.com)

30 Tower Lane →

Avon, CT → 06001

Tel (860) 651-6090 → Fax (860) 651-3618

[globaljetservices.com](http://globaljetservices.com)

**Course Length  
5 Days (40 Hours)**

FAA IA Approval Code:

C-IND-IM-151008-K-006-005



Other GLOBALJET courses available for your King Air 300/350:

**FAA Accepted**

*King Air 300/350 Initial*

*King Air 300/350 Line*

*King Air 300/350 Refresher*

*King Air 300/350 Electrical Interface*

*King Air 300/350 Avionics*

*King Air 300/B300 Engine Rigging*

*King Air Environmental Systems 200/300*

*Series*

