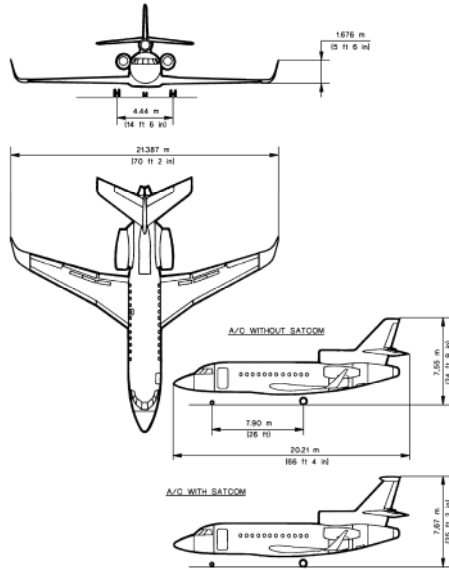


# FALCON



## Falcon 900EX EASy Aircraft

### Line Maintenance

The line maintenance course is a condensed, 5-day session. It enables technicians to understand aircraft systems and servicing with an emphasis on practical experience to build aircraft maintenance skills.

Moderate troubleshooting is stressed and reinforced with hands-on sessions on available aircraft. Active student participation provides a better understanding of aircraft systems, leading to effective and efficient maintenance practices.

For operations with technician scheduling and cost limitations, this Falcon 900EX EASy class creates a highly productive solution.



**Course Length  
5 Days (40 Hours)**

FAA IA Approval Code:

C-IND-IM-161102-K-010-004



Other GLOBALJET courses available for your Falcon 900EX EASy:

#### FAA Accepted

*Falcon 900EX EASy Gen-Fam*

*Falcon 900EX EASy Initial*

*Falcon 900EX EASy Refresher*

*Falcon 900EX EASy Electrical Interface*

**For more information on your Falcon 900EX EASy  
please contact:**

[Sales@globaljetservices.com](mailto:Sales@globaljetservices.com)

30 Tower Lane →

Avon, CT → 06001

Tel (860) 651-6090 → Fax (860) 651-3618

[globaljetservices.com](http://globaljetservices.com)

