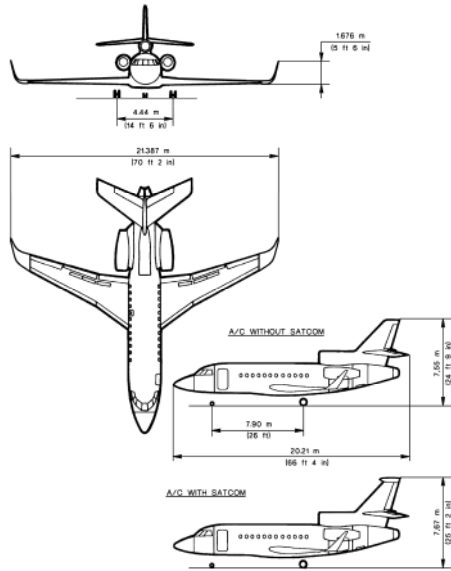


# FALCON



## Falcon 900EX EASy Aircraft

### Initial Maintenance

This initial-level maintenance training course covers all applicable ATA chapters, addressing aircraft systems' theory, operation, inspection, servicing, and troubleshooting. Using an interactive approach of instruction, hands-on sessions will be conducted to enhance and expand on classroom training. The course examines LRU troubleshooting from a theoretical and functional perspective.

This comprehensive Falcon 900EX EASy course is the ideal way to have technicians productively respond to transitions within the fleet.



**Course Length**  
**10 Days (80 Hours)**

FAA IA Approval Code:

C-IND-IM-161101-K-010-003



Other GLOBALJET courses available for your Falcon 900EX EASy:

***FAA Accepted***

*Falcon 900EX EASy Gen-Fam*

*Falcon 900EX EASy Line*

*Falcon 900EX EASy Refresher*

*Falcon 900EX EASy Electrical Interface*

**For more information on your Falcon 900EX EASy please contact:**

[Sales@globaljetservices.com](mailto:Sales@globaljetservices.com)

30 Tower Lane →

Avon, CT → 06001

Tel (860) 651-6090 → Fax (860) 651-3618

[globaljetservices.com](http://globaljetservices.com)

