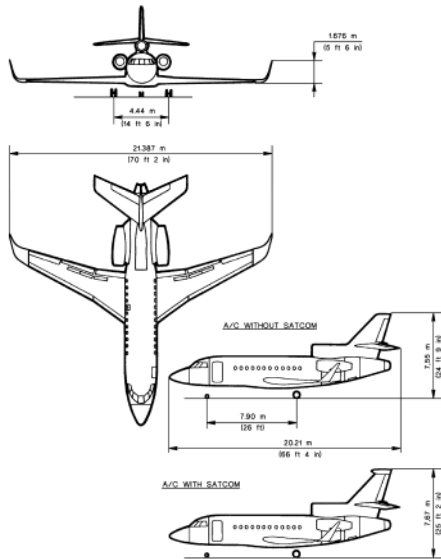


FALCON

**Course Length
5 Days (40 Hours)**



Falcon 900EX EASy Aircraft Generalization/Familiarization Maintenance

This 5-day maintenance course will help technicians understand the aircraft systems, servicing, and practical know-how needed to maintain the aircraft properly. This course is for the technician that has similar aircraft experience as well as the manager or scheduler who wants a better understanding of the aircraft. If the aircraft is available, actual hands-on practices will be conducted to ensure a complete understanding of aircraft systems and 'real-world' maintenance practices.

The Falcon 900EX EASy class offers an excellent way to expand technician productivity.

FAA IA Approval Code:

C-IND-IM-161102-K-010-002



Other GLOBALJET courses available for your Falcon 900EX EASy:

FAA Accepted

Falcon 900EX EASy Initial

Falcon 900EX EASy Line

Falcon 900EX EASy Refresher

Falcon 900EX EASy Electrical Interface



**For more information on your Falcon 900EX EASy
please contact:**

Sales@globaljetservices.com

30 Tower Lane →

Avon, CT → 06001

Tel (860) 651-6090 → Fax (860) 651-3618

globaljetservices.com

GLOBALJET
SERVICES

