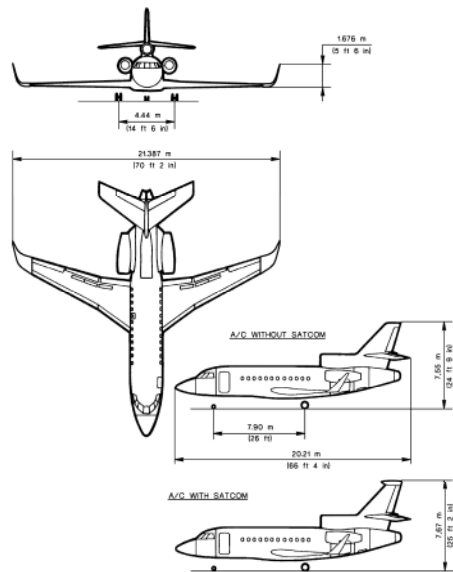


FALCON



Falcon 900EX EASy Aircraft

Electrical Interface Maintenance

This course is a combination of refresher, in-depth troubleshooting practices, and tracing of wiring diagrams. GLOBALJET Services employs a “white glove” approach where the majority of investigative work can be conducted without using tools. Troubleshooting is performed from the cockpit level using indication messages, support documentation, and wiring diagrams.

This is an intensive session with active classroom participation and considered an essential course for all proactive technicians familiar with the Falcon 900EX EASy.



**Course Length
5 Days (40 Hours)**

FAA IA Approval Code:

C-IND-IM-161102-K-010-001



Other GLOBALJET courses available for your Falcon 900EX EASy:

FAA Accepted

Falcon 900EX EASy Gen-Fam

Falcon 900EX EASy Initial

Falcon 900EX EASy Line

Falcon 900EX EASy Refresher

**For more information on your Falcon 900EX EASy
please contact:**

Sales@globaljetservices.com

30 Tower Lane →

Avon, CT → 06001

Tel (860) 651-6090 → Fax (860) 651-3618

globaljetservices.com

