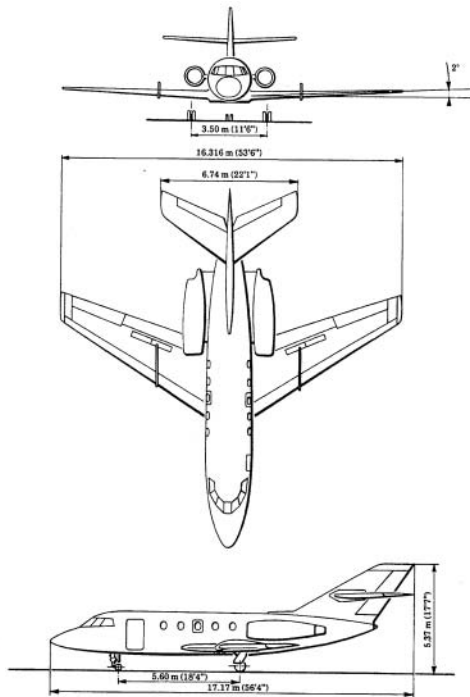


FALCON

Falcon 20 Aircraft

Initial Maintenance



This initial-level maintenance training course covers all applicable ATA chapters, addressing aircraft systems' theory, operation, inspection, servicing, and troubleshooting. Using an interactive approach of instruction, hands-on sessions will be conducted to enhance and expand on classroom training. The course examines LRU troubleshooting from a theoretical and functional perspective.

This comprehensive Falcon 20 course is the ideal way to have technicians productively respond to transitions within the fleet.

**Course Length
10 Days (80 Hours)**

FAA IA Approval Code:

C-IND-IM-151222-K-006-006



Other GLOBALJET courses available for your Falcon 20:

FAA Accepted

Falcon 20 Gen-Fam

Falcon 20 Line

Falcon 20 Refresher

Falcon 20 Electrical Interface

**For more information on your Falcon 20
please contact:**

Sales@globaljetservices.com

30 Tower Lane →

Avon, CT → 06001

Tel (860) 651-6090 → Fax (860) 651-3618

globaljetservices.com

GLOBALJET
SERVICES

