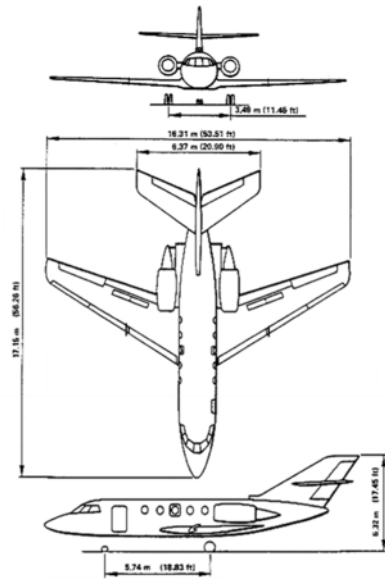


# FALCON

**Course Length  
5 Days (40 Hours)**

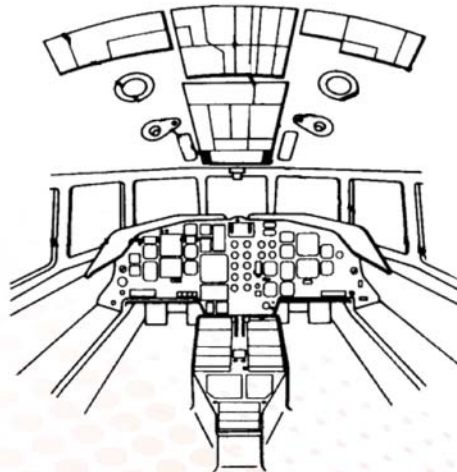
## Falcon 200 Aircraft

### Refresher Maintenance



Our refresher course is an excellent option where the agenda can be customized to meet your needs. GLOBALJET works with the customer to focus on select systems that meet specific training criteria. This course also dedicates a majority of time toward an applied approach to aircraft maintenance.

The Falcon 200 refresher classes offer premium value for operations with cost or scheduling constraints.



FAA IA Approval Code:

C-IND-IM-151224-K-006-002



Other GLOBALJET courses available for your Falcon 200:

**FAA Accepted**

*Falcon 200 Gen-Fam*

*Falcon 200 Initial*

*Falcon 200 Line*

*Falcon 200 Electrical Interface*

**For more information on your Falcon 200  
please contact:**

[Sales@globaljetservices.com](mailto:Sales@globaljetservices.com)

30 Tower Lane →

Avon, CT → 06001

Tel (860) 651-6090 → Fax (860) 651-3618

[globaljetservices.com](http://globaljetservices.com)

**GLOBALJET**  
SERVICES

