

FALCON

Falcon 20-5 Aircraft

Generalization/Familiarization Maintenance

Course Length
5 Days (40 Hours)

FAA IA Approval Code:

C-IND-IM-151217-K-006-009



Other GLOBALJET courses available for your Falcon 20-5:

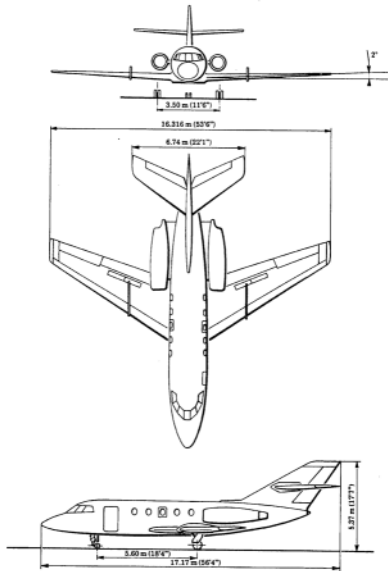
FAA Accepted

Falcon 20-5 Initial

Falcon 20-5 Line

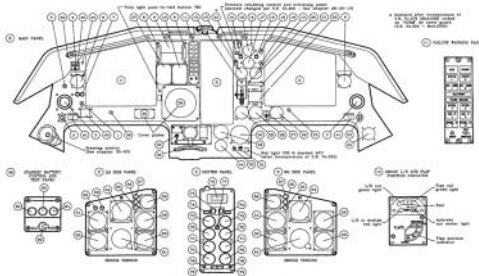
Falcon 20-5 Refresher

Falcon 20-5 Electrical Interface



This 5-day maintenance course will help technicians understand the aircraft systems, servicing, and practical know-how needed to maintain the aircraft properly. This course is for the technician that has similar aircraft experience as well as the manager or scheduler who wants a better understanding of the aircraft. If the aircraft is available, actual hands-on practices will be conducted to ensure a complete understanding of aircraft systems and 'real-world' maintenance practices.

The Falcon 20-5 class offers an excellent way to expand technician productivity.



For more information on your Falcon 20-5
please contact:

Sales@globaljetservices.com

30 Tower Lane →

Avon, CT → 06001

Tel (860) 651-6090 → Fax (860) 651-3618

globaljetservices.com

