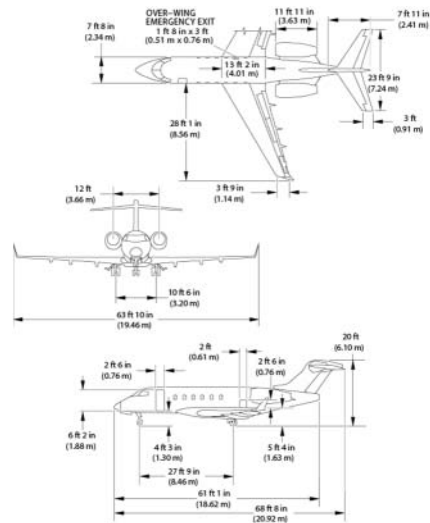


B O M B A R D I E R



Challenger 300/350 Aircraft

Engine Run Maintenance Course

This course provides designated technicians with the necessary procedures and practices to perform a successful engine run session.

Our course combines both classroom theoretical instruction with practical, applied interaction with the facility's aircraft.

This economical alternative to costly, limited-access simulator training will enable the technicians to quickly become productive with valuable knowledge in this critical area.

(A 2-day course is necessary for those students who have never taken the GLOBALJET Initial level course for the aircraft.*

| | |
|-------------------------------------|-----|
| Airport Runway & Taxi Markings | 1.0 |
| Radio Communication | 1.0 |
| Towing & Taxiing | 3.0 |
| Indicating System | 3.0 |
| System Checks..... | 4.0 |
| Power Plant/Starting/Ignition | 2.0 |
| Thrust Reverser | 0.5 |
| Cockpit Checklist Operation | 0.5 |
| Review | 1.0 |

TOTAL 16

**Course Length
2 Days (16 Hours)**

FAA IA Approval Code:

C-IND-IM-130607-K-006-033



Other GLOBALJET courses available for your Challenger 300/350:

FAA Accepted

Challenger 300/350 Gen-Fam

Challenger 300/350 Line

Challenger 300/350 Refresher

Challenger 300/350 Electrical Interface

For more information on your Challenger 300/350 please contact:

Sales@globaljetservices.com

30 Tower Lane →

Avon, CT → 06001

Tel (860) 651-6090 → Fax (860) 651-3618

globaljetservices.com

