

# B O M B A R D I E R

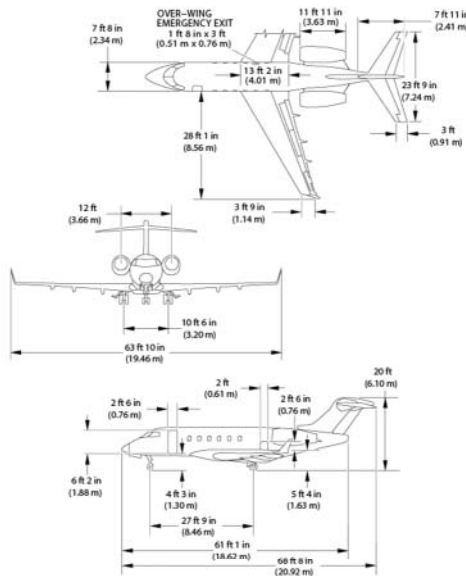
**Course Length  
5 Days (40 Hours)**

## Challenger 300/350 Aircraft

### Refresher Maintenance

FAA IA Approval Code:

C-IND-IM-130607-K-006-034



Our refresher course is an excellent option where the agenda can be customized to meet your needs. GLOBALJET works with the customer to focus on select systems that meet specific training criteria. This course also dedicates a majority of time toward an applied approach to aircraft maintenance.

The Challenger 300/350 refresher classes offer premium value for operations with cost or scheduling constraints.

Other GLOBALJET courses available for your Challenger 300/350:

#### FAA Accepted

*Challenger 300/350 Gen-Fam*

*Challenger 300/350 Initial*

*Challenger 300/350 Line*

*Challenger 300/350 Electrical Interface*

*Challenger 300/350 Engine Run*

**For more information on your Challenger 300/350  
please contact:**

[Sales@globaljetservices.com](mailto:Sales@globaljetservices.com)

30 Tower Lane →

Avon, CT → 06001

Tel (860) 651-6090 → Fax (860) 651-3618

[globaljetservices.com](http://globaljetservices.com)

