

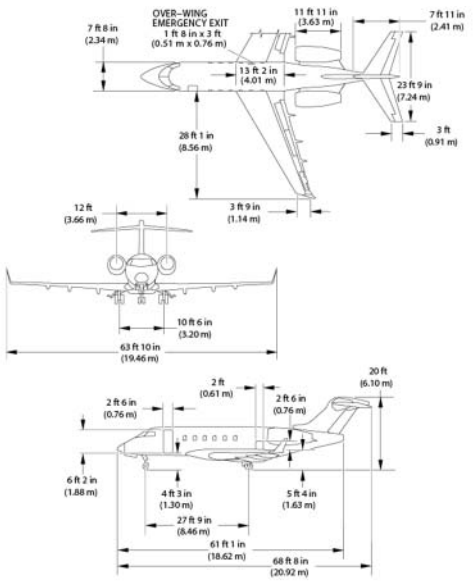
B O M B A R D I E R

Challenger 300/350 Aircraft

Generalization/Familiarization Maintenance

This 5-day maintenance course will help technicians understand the aircraft systems, servicing, and practical know-how needed to maintain the aircraft properly. This course is for the technician that has similar aircraft experience as well as the manager or scheduler who wants a better understanding of the aircraft. If the aircraft is available, actual hands-on practices will be conducted to ensure a complete understanding of aircraft systems and 'real-world' maintenance practices.

The Challenger 300/350 class offers an excellent way to expand technician productivity.



Course Length
5 Days (40 Hours)

FAA IA Approval Code:

C-IND-IM-160107-K-006-001



Other GLOBALJET courses available for your Challenger 300/350:

FAA Accepted

- Challenger 300/350 Initial*
- Challenger 300/350 Line*
- Challenger 300/350 Refresher*
- Challenger 300/350 Electrical Interface*
- Challenger 300/350 Engine-Run*

For more information on your Challenger 300/350 please contact:

Sales@globaljetservices.com

30 Tower Lane →
Avon, CT → 06001

Tel (860) 651-6090 → Fax (860) 651-3618
globaljetservices.com

