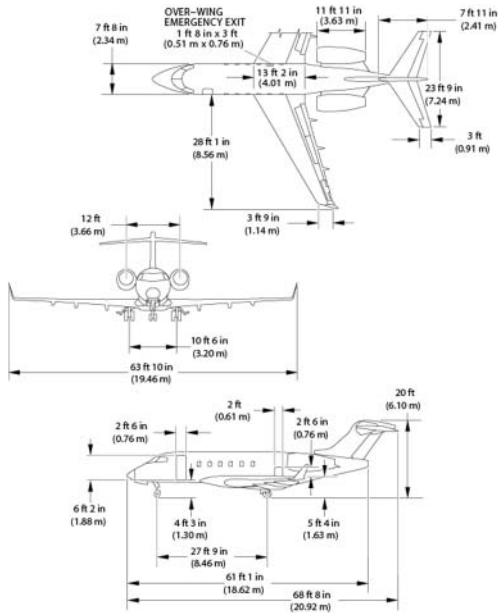


B O M B A R D I E R

Challenger 300/350 Aircraft

Line Maintenance



The line maintenance course is a condensed, 5-day session. It enables technicians to understand aircraft systems and servicing with an emphasis on practical experience to build aircraft maintenance skills.

Moderate troubleshooting is stressed and reinforced with hands-on sessions on available aircraft. Active student participation provides a better understanding of aircraft systems, leading to effective and efficient maintenance practices.

For operations with technician scheduling and cost limitations, this Challenger 300/350 class creates a highly productive solution.

For more information on your Challenger 300/350 please contact:

Sales@globaljetservices.com

30 Tower Lane →

Avon, CT → 06001

Tel (860) 651-6090 → Fax (860) 651-3618

globaljetservices.com

**Course Length
5 Days (40 Hours)**

FAA IA Approval Code:

C-IND-IM-130607-K-006-032



Other GLOBALJET courses available for your Challenger 300/350:

FAA Accepted

Challenger 300/350 Gen-Fam

Challenger 300/350 Initial

Challenger 300/350 Refresher

Challenger 300/350 Electrical Interface

Challenger 300/350 Engine-Run

