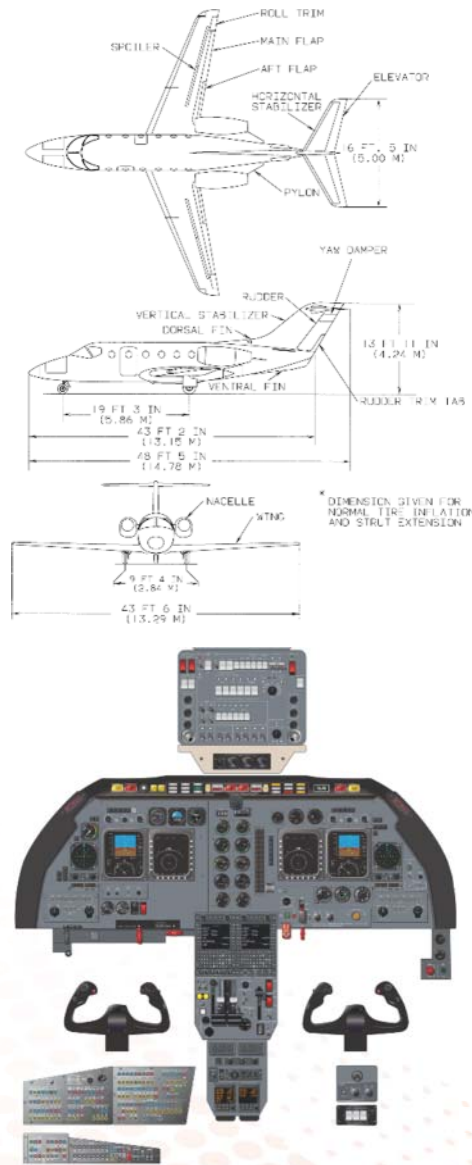


BEECHCRAFT

Factory Authorized Training Provider

Beechjet 400/400A/400XP Aircraft

Refresher Maintenance



Our refresher course is an excellent option where the agenda can be customized to meet your needs. GLOBALJET works with the customer to focus on select systems that meet specific training criteria. This course also dedicates a majority of time toward an applied approach to aircraft maintenance.

The Beechjet 400/400A/400XP refresher classes offer premium value for operations with cost or scheduling constraints.

**Course Length
5 Days (40 Hours)**

FAA IA Approval Code:

C-IND-IM-130607-K-006-026



Other GLOBALJET courses available for your Beechjet 400/400A/400XP:

FAA Accepted

*Beechjet 400/400A/400XP Gen-Fam
Beechjet 400/400A/400XP Initial
Beechjet 400/400A/400XP Line
Beechjet 400/400A/400XP Differences
Beechjet 400/400A/400XP Electrical
Interface
Beechjet 400/400A/400XP Engine-Run
Beech 400A to Nextant 400XT/XTi
Differences*

**For more information on your Beechjet 400/400A/400XP
please contact:**

Sales@globaljetservices.com

30 Tower Lane →

Avon, CT → 06001

Tel (860) 651-6090 → Fax (860) 651-3618

globaljetservices.com

