

BEECHCRAFT

Factory Authorized Training Provider

Beechjet 400/400A/400XP Aircraft

Generalization/Familiarization Maintenance

**Course Length
5 Days (40 Hours)**

FAA IA Approval Code:

C-IND-IM-170907-K-010-001



Other GLOBALJET courses available for your Beechjet 400/400A/400XP:

FAA Accepted

Beechjet 400/400A/400XP Initial

Beechjet 400/400A/400XP Line

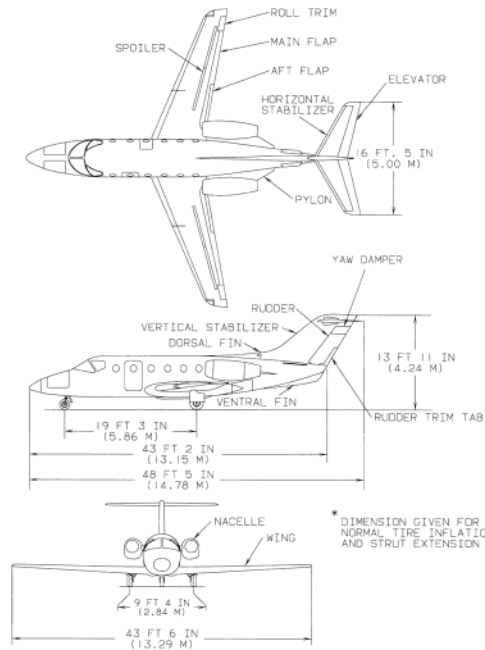
Beechjet 400/400A/400XP Refresher

Beechjet 400/400A/400XP Electrical Interface

Beechjet 400/400A/400XP Engine-Run

Beech 400A to Nextant 400XT/XTi

Differences



This 5-day maintenance course will help technicians understand the aircraft systems, servicing, and practical know-how needed to maintain the aircraft properly. This course is for the technician that has similar aircraft experience as well as the manager or scheduler who wants a better understanding of the aircraft. If the aircraft is available, actual hands-on practices will be conducted to ensure a complete understanding of aircraft systems and 'real-world' maintenance practices.

The Beechjet 400/400A/400XP class offers an excellent way to expand technician productivity.



**For more information on your Beechjet
400/400A/400XP**

please contact:

Sales@globaljetservices.com

30 Tower Lane →

Avon, CT → 06001

Tel (860) 651-6090 → Fax (860) 651-3618

globaljetservices.com

