

# BEECHCRAFT

**Factory Authorized Training Provider**

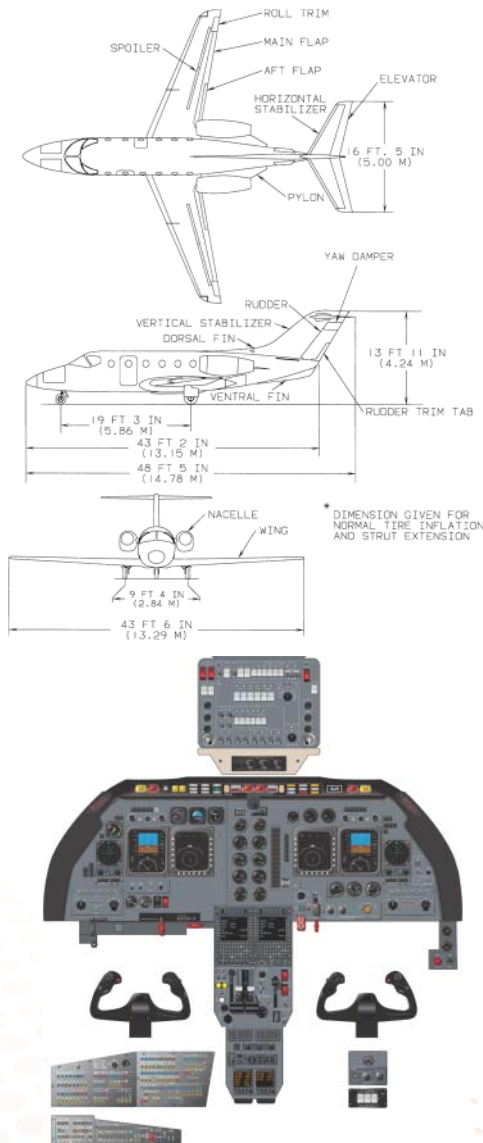
## Beechjet 400/400A/400XP Aircraft

### Electrical Interface Maintenance

**Course Length  
5 Days (40 Hours)**

FAA IA Approval Code:

C-IND-IM-151020-K-006-002



This course is a combination of refresher, in-depth troubleshooting practices, and tracing of wiring diagrams. GLOBALJET Services employs a “white glove” approach where the majority of investigative work can be conducted without using tools. Troubleshooting is performed from the cockpit level using indication messages, support documentation, and wiring diagrams.

This is an intensive session with active classroom participation and considered an essential course for all proactive technicians familiar with the Beechjet 400/400A/400XP.

Other GLOBALJET courses available for your Beechjet 400/400A/400XP:

**FAA Accepted**

- Beechjet 400/400A/400XP Gen-Fam*
- Beechjet 400/400A/400XP Initial*
- Beechjet 400/400A/400XP Line*
- Beechjet 400/400A/400XP Refresher*
- Beechjet 400/400A/400XP Engine-Run*
- Beech 400A to Nextant 400XT/XTi Differences*

**For more information on your Beechjet 400/400A/400XP please contact:**

[Sales@globaljetservices.com](mailto:Sales@globaljetservices.com)

30 Tower Lane →

Avon, CT → 06001

Tel (860) 651-6090 → Fax (860) 651-3618

[globaljetservices.com](http://globaljetservices.com)

