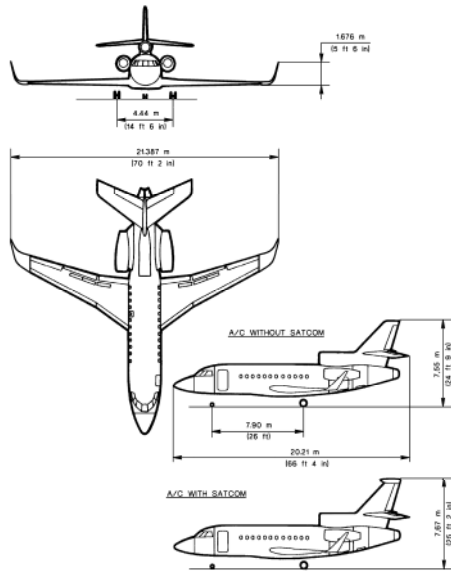


# FALCON



## Falcon 900EX EASy (Honeywell TFE731) Aircraft

### B2 Theoretical Maintenance

This EASA B2 Theoretical maintenance training course meets all current EASA approval requirements for the Falcon 900EX EASy (Honeywell TFE731) aircraft type. Airframe and engine ATAs are taught to various ATA specification 104 levels, i.e., 1, 2, and 3, based on EASA requirements, and all avionics ATAs are taught to level 3.

The focus is on aircraft type and avionics suite, specific operation, theory, and principals as they relate to Falcon 900EX EASy (Honeywell TFE731) type installation.



Course Length  
15 Days (120 Hours)

EASA Approval Number:

147.0038



Other GLOBALJET courses available for your Falcon 900EX EASy (Honeywell TFE731):

#### EASA Approved:

- Falcon 900EX EASy (Honeywell TFE731) B1+B2 Theoretical*
- Falcon 900EX EASy (Honeywell TFE731) B1+B2 Practical*
- Falcon 900EX EASy (Honeywell TFE731) B1 Theoretical*
- Falcon 900EX EASy (Honeywell TFE731) B1 Practical*
- Falcon 900EX EASy (Honeywell TFE731) B2 Practical*

For more information on your Falcon 900EX EASy (Honeywell TFE731) please contact:

[Sales@globaljetservices.com](mailto:Sales@globaljetservices.com)

30 Tower Lane →

Avon, CT → 06001

Tel (860) 651-6090 → Fax (860) 651-3618

[globaljetservices.com](http://globaljetservices.com)

**GLOBALJET**  
SERVICES

