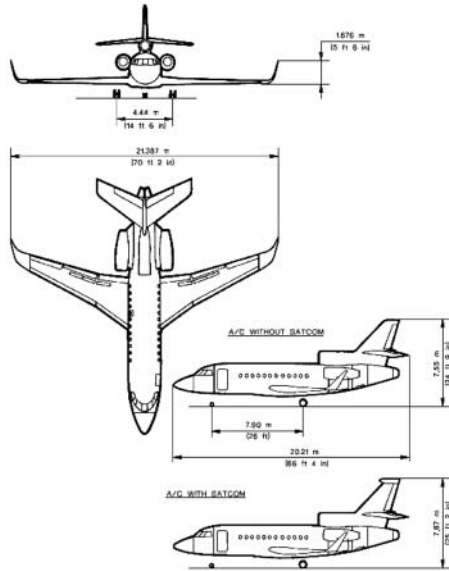


FALCON



Falcon 900EX EASy (Honeywell TFE731) Aircraft

B2 Practical Maintenance

The EASA B2 Practical maintenance training course is fully compliant with EASA Part 66, Appendix III requirements for the Falcon 900EX EASy (Honeywell TFE731) aircraft type. This course covers a broad cross-section of task types and complexity levels.

B2 Practical training focuses on the applied learning aspect of a wide range of airframe, engine, and avionics topics. This course is intended as a continuation and enhancement of a quality B1 Theoretical course. Upon successful completion, this class will certify aviation technicians for work on Falcon 900EX EASy (Honeywell TFE731) type aircraft.

For more information on your Falcon 900EX EASy (Honeywell TFE731) please contact:

Sales@globaljetservices.com

30 Tower Lane →

Avon, CT → 06001

Tel (860) 651-6090 → Fax (860) 651-3618

globaljetservices.com

Course Length
10 Days (80 Hours)

EASA Approval Number:

147.0038



Other GLOBALJET courses available for your Falcon 900EX EASy (Honeywell TFE731):

EASA Approved:

Falcon 900EX EASy (Honeywell TFE731)

B1+B2 Theoretical

Falcon 900EX EASy (Honeywell TFE731)

B1+B2 Practical

Falcon 900EX EASy (Honeywell TFE731) B1 Theoretical

Falcon 900EX EASy (Honeywell TFE731) B1 Practical

Falcon 900EX EASy (Honeywell TFE731) B2 Theoretical

GLOBALJET
SERVICES

