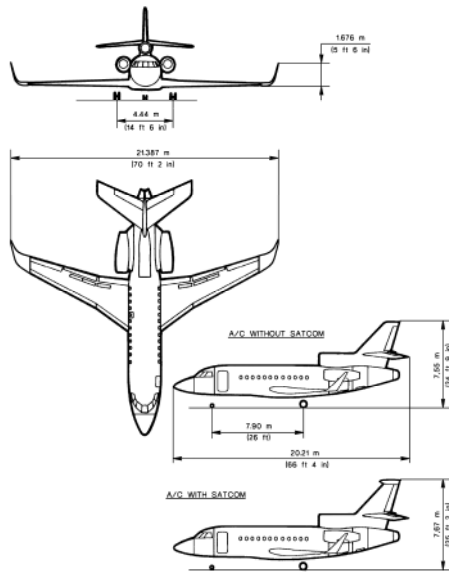


# FALCON



## Falcon 900EX EASy (Honeywell TFE731) Aircraft

### B1 Practical Maintenance

The Practical maintenance training course is fully compliant with EASA Part 66, appendix III requirements for the Falcon 900EX EASy (Honeywell TFE731) aircraft type. This course covers a broad cross section of task types and complexity levels.

Technicians will receive a wealth of practical knowledge to obtain clarity and detail during the various component and system testing, locating, removal, installation and troubleshooting sessions. Upon successful completion, this class will certify aviation technicians for work on Falcon 900EX EASy (Honeywell TFE731) type aircraft.



For more information on your Falcon 900EX EASy (Honeywell TFE731) please contact:

[Sales@globaljetservices.com](mailto:Sales@globaljetservices.com)

30 Tower Lane →

Avon, CT → 06001

Tel (860) 651-6090 → Fax (860) 651-3618

[globaljetservices.com](http://globaljetservices.com)

Course Length  
10 Days (80 Hours)

EASA Approval Number:

147.0038



Other GLOBALJET courses available for your Falcon 900EX EASy (Honeywell TFE731):

#### EASA Approved:

*Falcon 900EX EASy (Honeywell TFE731)*

*B1+B2 Theoretical*

*Falcon 900EX EASy (Honeywell TFE731)*

*B1+B2 Practical*

*Falcon 900EX EASy (Honeywell TFE731) B2 Theoretical*

*Falcon 900EX EASy (Honeywell TFE731) B2 Practical*

*Falcon 900EX EASy (Honeywell TFE731) B1 Theoretical*

**GLOBALJET**  
SERVICES

