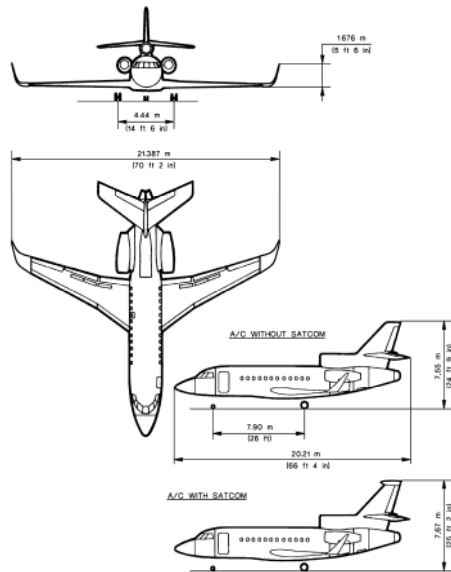


FALCON

Course Length
20 Days (160 Hours)



Falcon 900EX EASy (Honeywell TFE731) Aircraft

B1+B2 Theoretical Maintenance

The EASA B1+B2 Theoretical maintenance training course meets all current EASA approval requirements for the Falcon 900EX EASy (Honeywell TFE731) aircraft type. This course covers all applicable ATA chapters to address aircraft systems' theory, operation, inspection, and servicing.

The theoretical course employs an interactive approach with instruction to the student. Upon successful completion, this class will certify aviation technicians for work on Falcon 900EX EASy (Honeywell TFE731) type aircraft.

EASA Approval Number:



147.0038

Other GLOBALJET courses available for your Falcon 900EX EASy (Honeywell TFE731):

EASA Approved:

- Falcon 900EX EASy (Honeywell TFE731) B1+B2 Practical*
- Falcon 900EX EASy (Honeywell TFE731) B1 Theoretical*
- Falcon 900EX EASy (Honeywell TFE731) B1 Practical*
- Falcon 900EX EASy (Honeywell TFE731) B2 Theoretical*
- Falcon 900EX EASy (Honeywell TFE731) B2 Practical*



For more information on your Falcon 900EX EASy (Honeywell TFE731) please contact:

Sales@globaljetservices.com

30 Tower Lane →

Avon, CT → 06001

Tel (860) 651-6090 → Fax (860) 651-3618

globaljetservices.com

