

FALCON

**Course Length
10 Days (80 Hours)**

Falcon 900EX EASy (Honeywell TFE731) Aircraft

B1+B2 Practical Maintenance

EASA Approval Number:

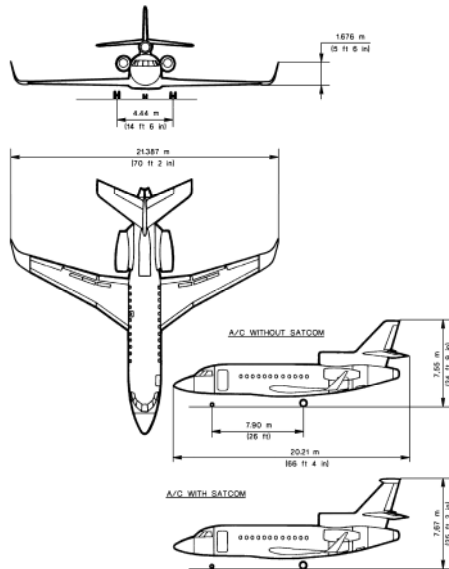


147.0038

Other GLOBALJET courses available for your Falcon 900EX EASy:

EASA Approved:

*Falcon 900EX EASy (Honeywell TFE731)
B1+B2 Theoretical
Falcon 900EX EASy (Honeywell TFE731) B1
Theoretical
Falcon 900EX EASy (Honeywell TFE731) B1
Practical
Falcon 900EX EASy (Honeywell TFE731) B2
Theoretical
Falcon 900EX EASy (Honeywell TFE731) B2
Practical*



This Practical maintenance training course is fully compliant with EASA Part 66, Appendix III requirements for the Falcon 900EX EASy aircraft type. The course covers a broad cross-section of task types and complexity levels.

B1+B2 Practical training focuses on the applied learning aspect on a wide range of airframe, engine, and avionics topics. It is intended as a continuation, and enhancement, of a quality B1 Theoretical course.

Upon successful completion, this class will certify aviation technicians for work on Falcon 900EX EASy type aircraft.



**For more information on your Falcon 900EX EASy
please contact:**

Sales@globaljetservices.com

30 Tower Lane →

Avon, CT → 06001

Tel (860) 651-6090 → Fax (860) 651-3618

globaljetservices.com

GLOBALJET
SERVICES

