

# B O M B A R D I E R

Course Length  
10 Days (80 Hours)

## Bombardier BD-100-1A10 (Honeywell AS907) Aircraft

### B1 Practical Maintenance

EASA Approval Number:

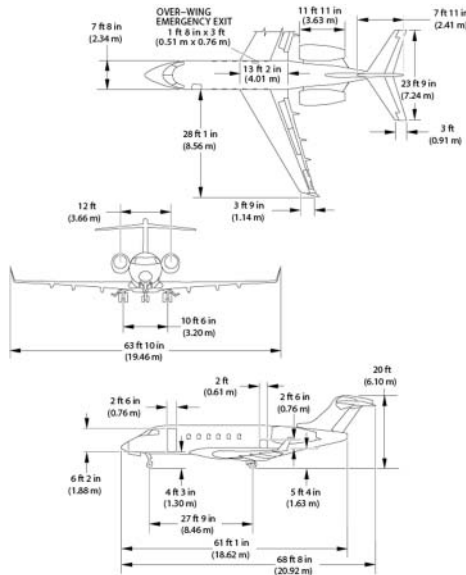
147.0038



Other GLOBALJET courses available for  
your Bombardier BD-100-1A10  
(Honeywell AS907):

**EASA Approved:**

*Bombardier BD-100-1A10 (Honeywell AS907)  
B1+B2 Theoretical  
Bombardier BD-100-1A10 (Honeywell AS907)  
B1+B2 Practical  
Bombardier BD-100-1A10 (Honeywell AS907)  
B2 Theoretical  
Bombardier BD-100-1A10 (Honeywell AS907)  
B2 Practical  
Bombardier BD-100-1A10 (Honeywell AS907)  
B1 Theoretical*



The Practical maintenance training course is fully compliant with EASA Part 66, appendix III requirements for the Bombardier BD-100-1A10 (Honeywell AS907) aircraft type. This course covers a broad cross section of task types and complexity levels.

Technicians will receive a wealth of practical knowledge to obtain clarity and detail during the various component and system testing, locating, removal, installation and troubleshooting sessions. Upon successful completion, this class will certify aviation technicians for work on Bombardier BD-100-1A10 (Honeywell AS907) type aircraft.



For more information on your Bombardier BD-100-1A10 (Honeywell AS907) please contact:

[Sales@globaljetservices.com](mailto:Sales@globaljetservices.com)

30 Tower Lane →

Avon, CT → 06001

Tel (860) 651-6090 → Fax (860) 651-3618

[globaljetservices.com](http://globaljetservices.com)

