

# FALCON

Course Length  
13 Days (104 Hours)

## Falcon 20-5 (Honeywell TFE731) (Pro Line 4) Aircraft

### B2 Theoretical Maintenance

CASA Course  
Code:

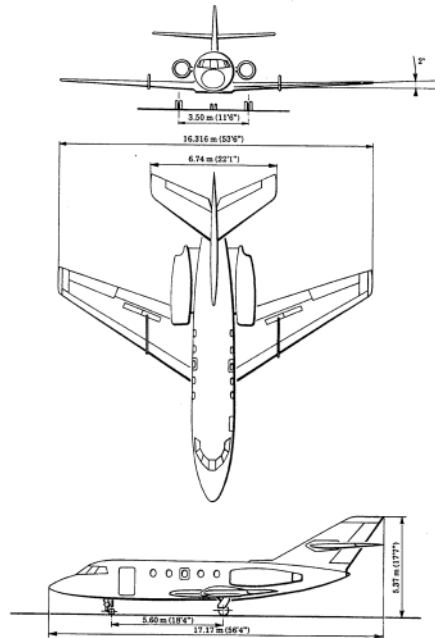
GJS043T



Other GLOBALJET courses available for  
your Falcon 20-5 (Honeywell TFE731)  
(Pro Line 4) type aircraft:

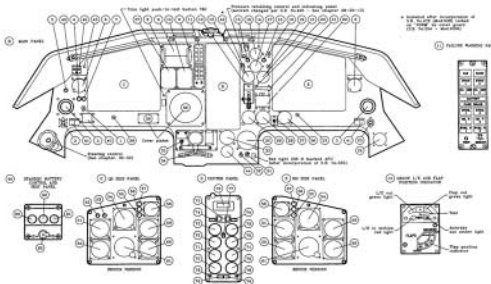
#### Other CASA Approved Courses:

*Falcon 20-5 (Honeywell TFE731) (Pro Line 4)  
B2 Practical  
Falcon 20-5 (Honeywell TFE731) (Pro Line 4)  
B1+B2 Theoretical  
Falcon 20-5 (Honeywell TFE731) (Pro Line 4)  
B1+B2 Practical  
Falcon 20-5 (Honeywell TFE731) B1  
Theoretical  
Falcon 20-5 (Honeywell TFE731) B1 Practical*



This CASA B2 Theoretical maintenance training course meets all current CASA approval requirements for the Falcon 20-5 (Honeywell TFE731) (Pro Line 4) aircraft type. Airframe and engine ATAs are taught to various ATA specification 104 levels, i.e., 1, 2, and 3, based on CASA requirements, and all avionics ATAs are taught to level 3.

The focus is on aircraft type and avionics suite, specific operation, theory, and principals as they relate to Falcon 20-5 (Honeywell TFE731) (Pro Line 4) type installation.



For more information on your Falcon 20-5 (Honeywell  
TFE731) (Pro Line 4) please contact:

[Sales@globaljetservices.com](mailto:Sales@globaljetservices.com)

30 Tower Lane →  
Avon, CT → 06001

Tel +1 (860) 651-6090 → Fax +1 (860) 651-3618  
[globaljetservices.com](http://globaljetservices.com)

