

FALCON

**Course Length
10 Days (80 Hours)**

Falcon 20-5 (Honeywell TFE731) (Pro Line 4) Aircraft

B2 Practical Maintenance

CASA Course
Code:

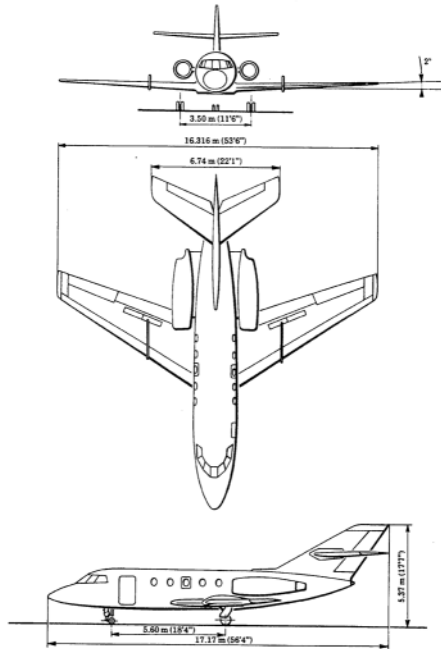


GJS044P

Other GLOBALJET courses available for your Falcon 20-5 (Honeywell TFE731) (Pro Line 4) type aircraft:

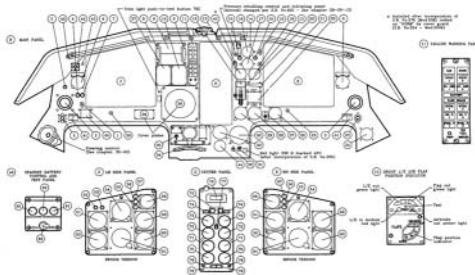
Other CASA Approved Courses:

*Falcon 20-5 (Honeywell TFE731) (Pro Line 4)
B2 Theoretical
Falcon 20-5 (Honeywell TFE731) (Pro Line 4)
B1+B2 Theoretical
Falcon 20-5 (Honeywell TFE731) (Pro Line 4)
B1+B2 Practical
Falcon 20-5 (Honeywell TFE731) B1
Theoretical
Falcon 20-5 (Honeywell TFE731) B1 Practical*



The CASA B2 Practical maintenance training course is fully compliant with CASA Part 66, Appendix III requirements for the Falcon 20-5 (Honeywell TFE731) (Pro Line 4) aircraft type. This course covers a broad cross-section of task types and complexity levels.

B2 Practical training focuses on the applied learning aspect of a wide range of airframe, engine, and avionics topics. This course is intended as a continuation and enhancement of a quality B1 Theoretical course. Upon successful completion, this class will certify aviation technicians for work on Falcon 20-5 (Honeywell TFE731) (Pro Line 4) type aircraft.



For more information on your Falcon 20-5 (Honeywell TFE731) (Pro Line 4) please contact:

Sales@globaljetservices.com

30 Tower Lane →
Avon, CT → 06001

Tel +1 (860) 651-6090 → Fax +1 (860) 651-3618
globaljetservices.com

