

# FALCON

**Course Length  
13 Days (104 Hours)**

## **Falcon 20-5 (Honeywell TFE731) Aircraft**

### **B1 Theoretical Maintenance**

CASA Course  
Code:

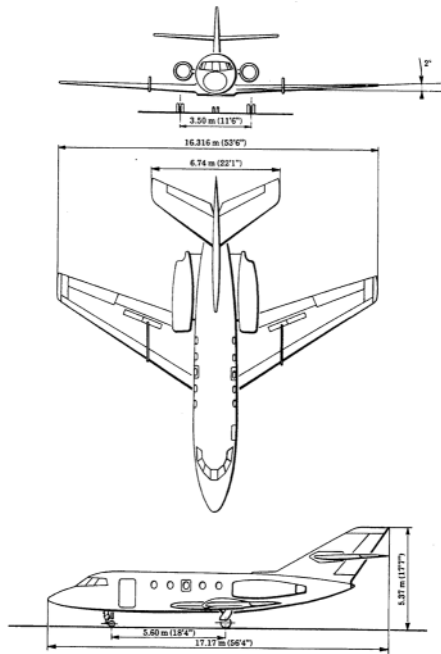
GJS041T



Other GLOBALJET courses available for your Falcon 20-5 (Honeywell TFE731) type aircraft:

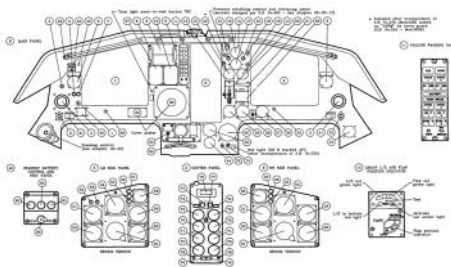
#### **Other CASA Approved Courses:**

*Falcon 20-5 (Honeywell TFE731) B1 Practical  
Falcon 20-5 (Honeywell TFE731) (Pro Line 4)  
B1+B2 Theoretical  
Falcon 20-5 (Honeywell TFE731) (Pro Line 4)  
B1+B2 Practical  
Falcon 20-5 (Honeywell TFE731) (Pro Line 4)  
B2 Theoretical  
Falcon 20-5 (Honeywell TFE731) (Pro Line 4)  
B2 Practical*



This CASA B1 Theoretical maintenance training course meets all current CASA approval requirements for the Falcon 20-5 (Honeywell TFE731) aircraft type. The course covers all applicable ATA chapters to address aircraft systems' theory, operation, inspection, and servicing.

The theoretical course employs an interactive approach with instruction to the student. Upon successful completion, this class will certify aviation technicians for work on Falcon 20-5 (Honeywell TFE731) type aircraft.



**For more information on your Falcon 20-5 (Honeywell TFE731) please contact:**

[Sales@globaljetservices.com](mailto:Sales@globaljetservices.com)

30 Tower Lane →  
Avon, CT → 06001

Tel +1 (860) 651-6090 → Fax +1 (860) 651-3618  
[globaljetservices.com](http://globaljetservices.com)

