

# FALCON

Course Length  
10 Days (80 Hours)

## Falcon 20-5 (Honeywell TFE731) Aircraft

### B1 Practical Maintenance

CASA Course  
Code:

GJS042P



Australian Government  
Civil Aviation Safety Authority

Other GLOBALJET courses available for your Falcon 20-5 (Honeywell TFE731) type aircraft:

#### Other CASA Approved Courses:

*Falcon 20-5 (Honeywell TFE731) B1*

*Theoretical*

*Falcon 20-5 (Honeywell TFE731) (Pro Line 4)*

*B1+B2 Theoretical*

*Falcon 20-5 (Honeywell TFE731) (Pro Line 4)*

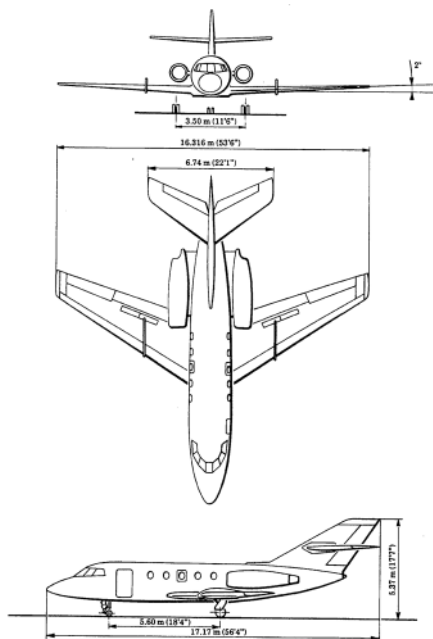
*B1+B2 Practical*

*Falcon 20-5 (Honeywell TFE731) (Pro Line 4)*

*B2 Theoretical*

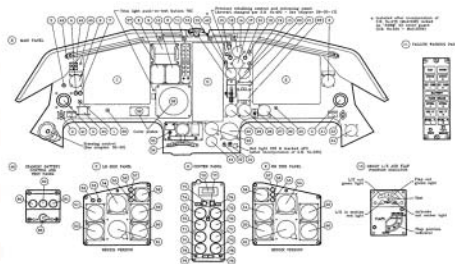
*Falcon 20-5 (Honeywell TFE731) (Pro Line 4)*

*B2 Practical*



The Practical maintenance training course is fully compliant with CASA Part 66, appendix III requirements for the Falcon 20-5 (Honeywell TFE731) aircraft type. This course covers a broad cross section of task types and complexity levels.

Technicians will receive a wealth of practical knowledge to obtain clarity and detail during the various component and system testing, locating, removal, installation and troubleshooting sessions. Upon successful completion, this class will certify aviation technicians for work on Falcon 20-5 (Honeywell TFE731) type aircraft.



For more information on your Falcon 20-5 (Honeywell TFE731) please contact:

[Sales@globaljetservices.com](mailto:Sales@globaljetservices.com)

30 Tower Lane →

Avon, CT → 06001

Tel +1 (860) 651-6090 → Fax +1 (860) 651-3618

[globaljetservices.com](http://globaljetservices.com)

GLOBALJET  
SERVICES

