

FALCON

**Course Length
10 Days (80 Hours)**

Falcon 20-5 (Honeywell TFE731) (Pro Line 4) Aircraft

B1+B2 Practical Maintenance

CASA Course
Code:

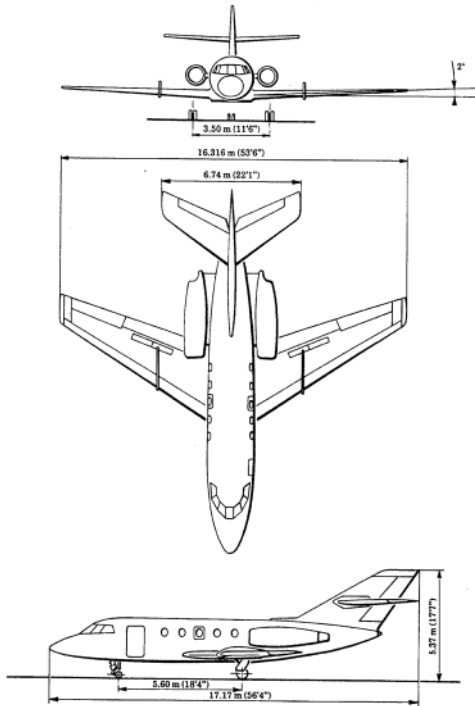


GJS046PT

Other GLOBALJET courses available for your Falcon 20-5 (Honeywell TFE731) (Pro Line 4) type aircraft:

Other CASA Approved Courses:

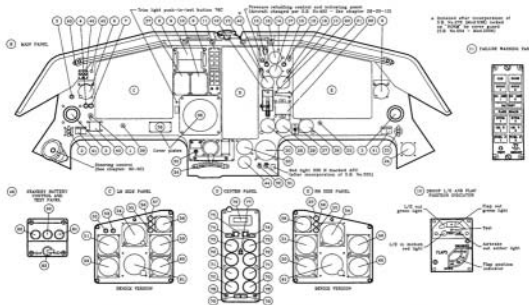
Falcon 20-5 (Honeywell TFE731) (Pro Line 4) B2 Theoretical
Falcon 20-5 (Honeywell TFE731) (Pro Line 4) B2 Practical
Falcon 20-5 (Honeywell TFE731) (Pro Line 4) B1+B2 Theoretical
Falcon 20-5 (Honeywell TFE731) B1 Theoretical
Falcon 20-5 (Honeywell TFE731) B1 Practical



This Practical maintenance training course is fully compliant with CASA Part 66, Appendix III requirements for the Falcon 20-5 (Honeywell TFE731) (Pro Line 4) aircraft type. The course covers a broad cross-section of task types and complexity levels.

B1+B2 Practical training focuses on the applied learning aspect on a wide range of airframe, engine, and avionics topics. It is intended as a continuation, and enhancement, of a quality B1 Theoretical course.

Upon successful completion, this class will certify aviation technicians for work on Falcon 20-5 (Honeywell TFE731) (Pro Line 4) type aircraft.



For more information on your Falcon 20-5 (Honeywell TFE731) (Pro Line 4) please contact:

Sales@globaljetservices.com

30 Tower Lane →
Avon, CT → 06001

Tel +1 (860) 651-6090 → Fax +1 (860) 651-3618
globaljetservices.com

